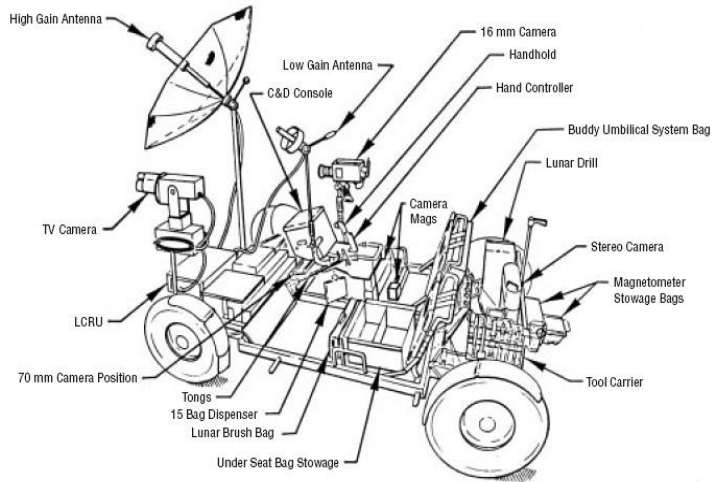


Student Names, First, Last _____



Sphero Lunar Rover – Vex Class T3-2018

<http://dwteach.com/robotvex.html>

Objectives and /or Goals

I can build and program a robot to perform specific tasks.

Lunar Challenge - Follow the direction to the challenge -

Your teams job is to navigate a new planet/moon from a landing point to where there is believed to be ice. Because of environment, your team must send an autonomous vehicle to explore the planet.

Your team may send up to 3 rovers visit the extraterrestrial body, using scientific data, create autonomous vehicle to transverse from the landing site to the ice field. Your team however cannot practice or use the actual course to plan your programing. Good Luck

Vehicle 1 –

Explain Programing –

What happened? –

What had to be changed –

____ Success ____ Redesign Mr. Williams initials _____

Vehicle 2 -

Explain Programing –

What happened? –

What had to be changed –

____ Success ____ Redesign Mr. Williams initials _____

Student Names, First, Last _____

Vehicle 3 –

Explain Programing –

What happened? –

What had to be changed –

____ Success ____ Redesign Mr. Williams initials _____

What was be biggest challenging in programing besides not being able to test on the robot board?